

# Impermeability special Manometer for gas network MP 130

## KEY POINTS

- Easy to use
- Adjustable backlight
- Hold-min-max functions
- Selection of units

## TECHNICAL FEATURES

|                               |   |
|-------------------------------|---|
| <b>Measuring range</b>        | Sensor piezoresistive   |
| <b>Tolerated overpressure</b> | 700 mbar  |
| <b>Connector</b>              | Ø 4,6 mm threaded connectors made of nickelled brass  |
| <b>Display</b>                | 4 lines, LCD technology. Sizes 50 x 36 mm<br>2 lines of 5 digits with 7 segments (value)<br>2 lines of 5 digits with 16 segments (unit) |
| <b>Housing</b>                | ABS, protection IP54  |
| <b>Keypad</b>                 | 5 keys  |
| <b>Conformity</b>             | Directives CEM 2004/108/CE and NF EN 61010-1  |
| <b>Power supply</b>           | 4 batteries AAA LR03 1.5 V  |
| <b>Battery life</b>           | 180 hours   |
| <b>Ambience</b>               | Neutral gas   |
| <b>Operating temperature</b>  | From 0 to +50 °C  |
| <b>Storage temperature</b>    | From -20 to +80 °C  |
| <b>Auto shut-off</b>          | Adjustable from 0 à 120 min   |
| <b>Weight</b>                 | 220 g   |



## SPECIFICATIONS

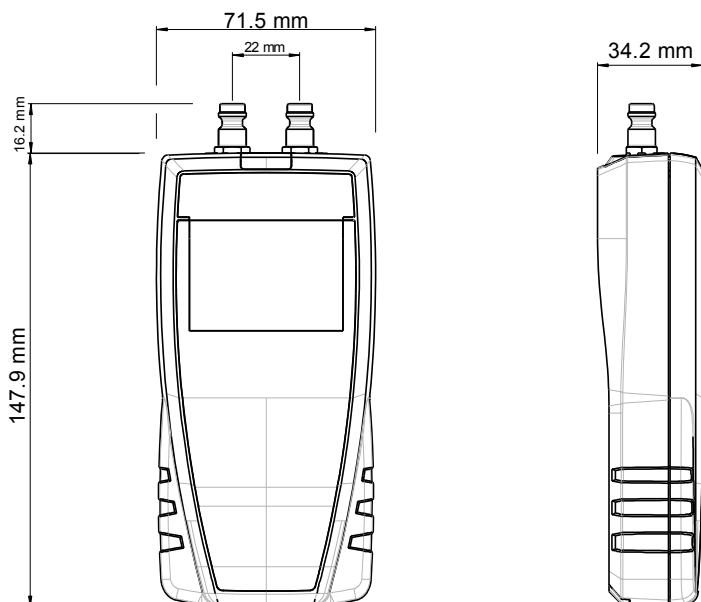
| Measuring units             | Measuring range        | Accuracy <sup>1</sup>  | Resolution  |
|-----------------------------|------------------------|--|---|
| kPa, inWg, mbar, mmHg, daPa | From -500 to +500 mbar | From -20 to 20 mbar : ±0,4% of reading ±0.3 mbar<br>From -500 to -20 mbar and from 20 to 500 mbar : ±0.5% of reading ±0.5 mbar | From -20 to 20 mbar : 0.01 mbar<br>From -500 to -20 mbar and from 20 to 500 mbar : 0.1 mbar |

## FUNCTIONS

- Pressure measurement
- Selection of units
- Manual self-calibration
- Hold function
- Display of minimum and maximum values
- Configurable auto shut-off
- Backlight

<sup>1</sup>All the accuracies indicated in this technical datasheet were stated in laboratory conditions, and can be guaranteed for measurements carried out in the same conditions, or carried out with calibration compensation

## DIMENSIONS



## SUPPLIED WITH

- Instruments are supplied with :
- Magnetic protective housing
  - Calibration certificate
  - Seal Kit
  - Transport case



## MAINTENANCE

We carry out calibration, adjustment and maintenance of your instruments to guarantee a constant level of quality of your measurements. As part of Quality Assurance Standards, we recommend you to carry out a yearly checking.

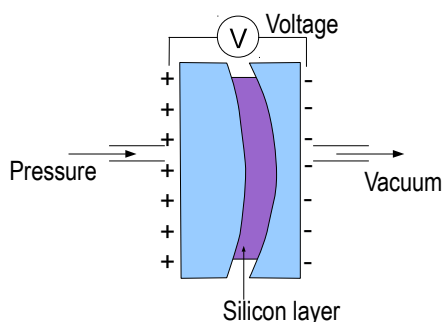
## GUARANTEE

Instruments have 1-year guarantee for any manufacturing defect (return to our After-Sales Service required for appraisal).

## OPERATING PRINCIPLES

### Piezoresistive sensor

The pressure deforms the silicon layer. This layer deformation generates a voltage at its terminations. This voltage is proportional to the pressure applied.



## SEAL KIT INCLUDES

| Connectors                                    |   | Plugs  |   |
|---|---|--|---|
|   |   |  |   |
| Stainless steel male connector, 9 mm diameter | Stainless steel female connector, 9 mm diameter | Plug : outside diameter : 22-44 mm 9 mm male connector | Plug : outside diameter: 18-32 mm 9 mm male connector |
| Tap with 2 valves and 3 channels              | Pressurization pump                             | Connections  |   |
|   |   |  |   |
|   | Rubber pump                                     |  |   |
|   |   |  |   |
|   |   | 10-32  | 6-20  |
|   |   | Male bottle  | M20x1.5   |
|   |   | 1/2G   | Fast connector  |

[www.kimo.fr](http://www.kimo.fr)

Distributed by :



**EXPORT DEPARTMENT**  
 Tel : + 33. 1. 60. 06. 69. 25 - Fax : + 33. 1. 60. 06. 69. 29  
 e-mail : [export@kimo.fr](mailto:export@kimo.fr)