



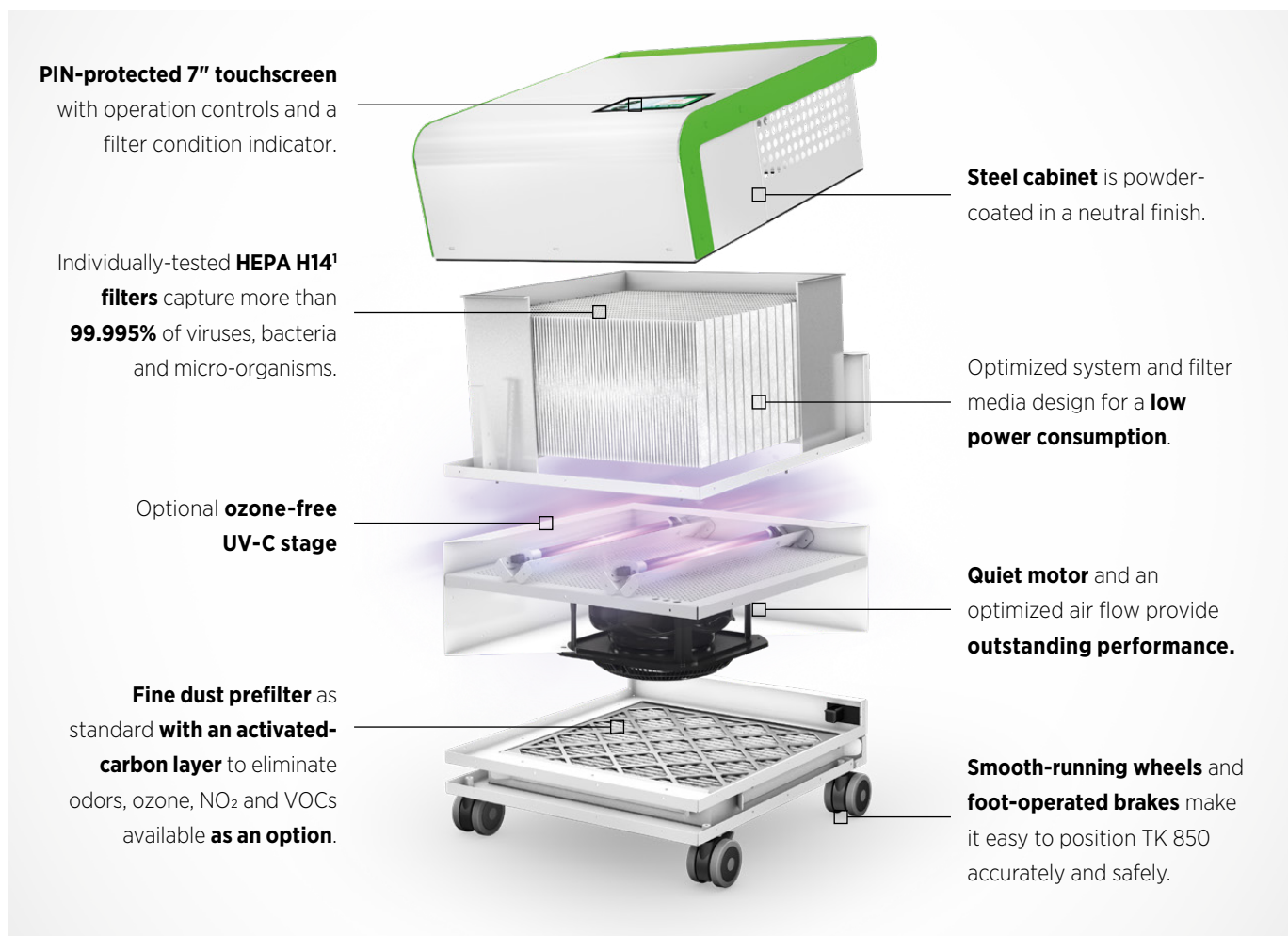
OurAir TK 850
Mobile Air
Purification System
for Virus-Free Air
Indoors

MANN +
HUMMEL
OurAir

OurAir TK 850

Features & Functions

MOBILE AIR PURIFICATION SYSTEM



OVERVIEW

OurAir TK 850 is a portable air purification system that delivers virus-free, safe air in practically any indoor environment. Its individually-tested H14 HEPA filters¹ capture more than 99.995% of viruses, bacteria and other micro-organisms to offer the same supply air purity as many cleanrooms. Optionally, the prefilter can be equipped with an activated carbon layer to adsorb unpleasant odors and an ozone-free UV-C stage can also be selected.

APPLICATIONS & USE

OurAir TK 850 has been designed to provide virus-free air to building occupants wherever they gather - from offices and retail stores to restaurants, gyms and medical practices.

One OurAir TK 850 device efficiently cleans the air in a room up to 70 m² in size. Multiple units can be used in conjunction for larger rooms, or the OurAir SQ 2500 is an alternative solution for rooms up to 200 m².

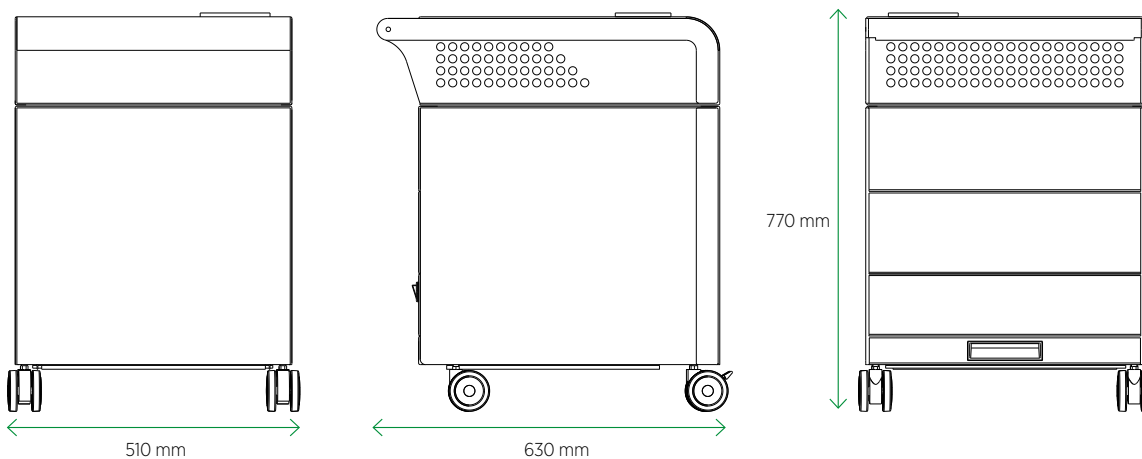
OPTIONAL UV-C STAGE

Viruses separated by the HEPA filter die off and remain inactive. If requested, an additional ozone-free UV-C stage can be activated. Wavelengths below 240 nm are retained by specially coated glass. The lamps are deactivated when the device is opened. When using HEPA filters, UV-C lamps do not contribute to a further improvement in air quality and only sterilize the directly irradiated filter surface.

OurAir TK 850

Technical Information

DIMENSIONS & LAYOUT



PERFORMANCE DATA

TECHNICAL DATA	OURAIR TK 850
Dimensions (L x W x H)	0.51 x 0.63 x 0.77 m
Recommended Room Size (per unit)	Approx. 70 m ²
Net Weight (with filter)	60 kg
Cabinet Material	Powder-coated steel - 1.5 mm thick
Power Supply	230 V, IEC power connector
Power Consumption	91 W @ average operation speed (400 m ³ /h) 220 W @ maximum (950 m ³ /h)
Circuit Breaker	Integrated - 3 amp
Air Flow Rate	100 - 950 m ³ /h
Air Exchange Rate	- 5 times/hour (70 m ² room); - 6 times/hour (60 m ² room)
Filtration Efficiency	H14 ¹ (captures > 99.995% of viruses, bacteria and micro-organisms)
Pre-Filtration	ePM10 80%
Screen	PIN-protected 7" LCD touch screen
Options	Ozone-free UV-C stage, activated carbon prefilter (from Q2/21), Wi-Fi connectivity (from Q3/21)

SOUND PRESSURE

Air Flow	950 m ³ /h	850 m ³ /h	600 m ³ /h	400 m ³ /h	200 m ³ /h
Sound Output	- 57 dB(A)	- 55 dB(A)	- 47 dB(A)	- 40 dB(A)	- 30 dB(A)

Subject to change without notice. ¹According to ISO 29463 & EN 1822.



v10-1220 © MANN+HUMMEL GmbH