



TTFM100-F18-NG DIN RAIL Mounting Stationary Type With Display & Keypad



High Accuracy Measurement	Linearity: better than 0.5% - Repeatability: better than 0.2%, - Accuracy: better than $\pm 1\%$
Wide Measuring range	Several types of transducers to be selected, measuring pipe sizes from DN15mm to DN6000mm with four different types of sensors + PT100 ohm when if used as heat meter
Menu Languages	TTFM100-F1-NG can support Italian, English or Turkish menus. German and Spanish will be implemented shortly.
Power Supply	12...36 VDC
Engineering Units	Flow: Imperial and metric Calories: BTU; GJ; KW; KCal
Dimensions Protection Grade	90 x 90 x 36mm IP20
Set-up	By integrated keypad
Output	Relay OCT / 4-20mA / RS485
Protocol	MODBUS



ULTRASONIC SENSORS

New

Clamp-on Sensors – Standard Type

Temperature Range – 30...+90°C

Max Cable length: 200mt

TTS-100-TS2-NG Range: DN15...100

Working Frequency 1.5 MHz

TTS-100-TM1-NG Range: DN50...1000

Working Frequency 1 MHz

TTS-100-TL1-NG Range: DN300...6000

Working Frequency 0.6 MHz



New

Clamp-on Sensors - High Temperature

Temperature Range – 30...+160°C

Max Cable length: 200mt

TTS-100-TS1-NG-HT Range: DN15...150

TTS-100-TM1-NG-HT Range: DN50...700

Working Frequency 1 MHz



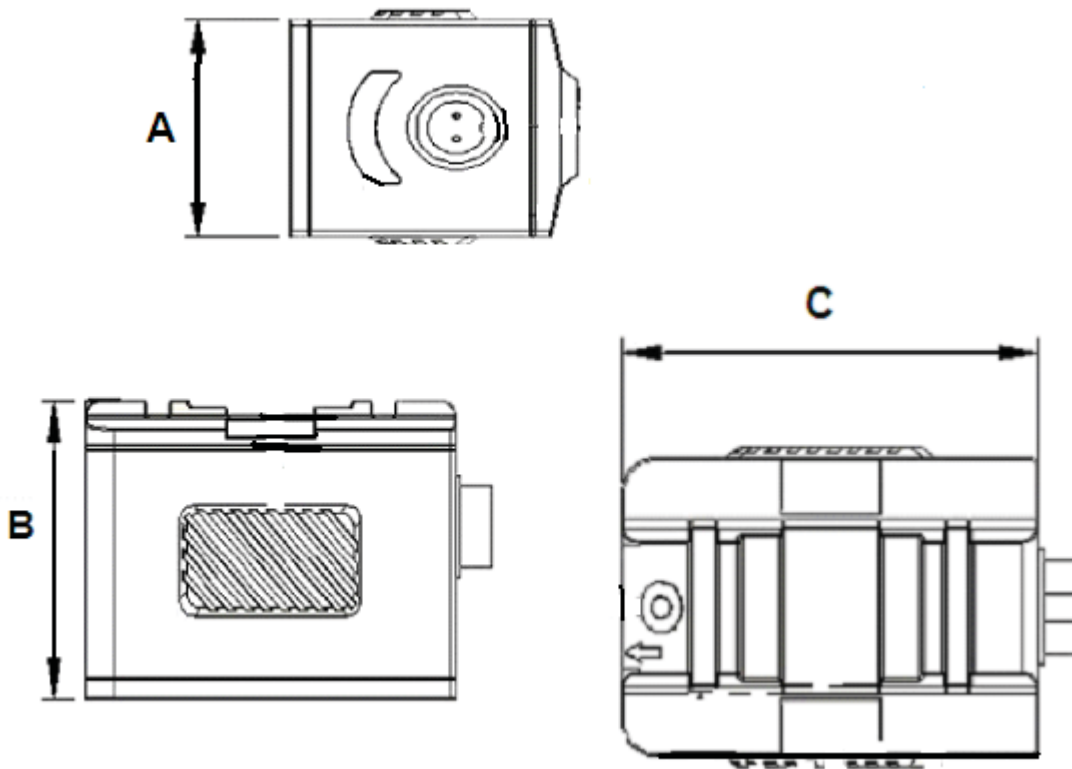
New Clamp-on Sensors, both Standard and High Temperature, can be fixed by using 3 different tools:

1. Steel Belts
2. Stretchers
3. Rail Guide Mounting System





Clamp-on Sensors Dimensions:



Sensor Type	A	B	C
TTS100-TS2-NG	28 mm	25 mm	45 mm
TTS100-TM1-NG	39 mm	44 mm	64 mm
TTS100-TL1-NG	53 mm	54 mm	97 mm
TTS100-TS1-NG-HT	28 mm	25 mm	45 mm
TTS100-TM1-NG-HT	39 mm	44 mm	64 mm